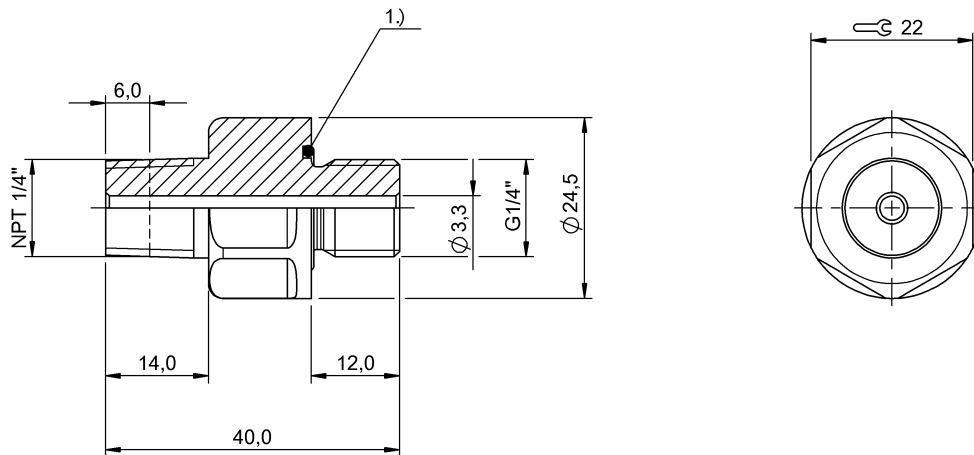


Mechanical Accessories
BAM AD-SP-008-1G4/1N4-4
 Order Code: BAM01KT

BALLUFF



1) O-ring

Basic features

Principle of operation	Adapters in general
Scope of delivery	Adapter O-ring $\varnothing 14.0 \times 1.5$, FPM 90
Use	for pressure sensors with G1/4\"/>

Material

Material	1.4301 stainless steel
-----------------	------------------------

Mechanical data

Process connection	NPT 1/4\"/>
---------------------------	-------------